



# 120 E

Ride on pick&carry crane  
with 12.000 kg capacity

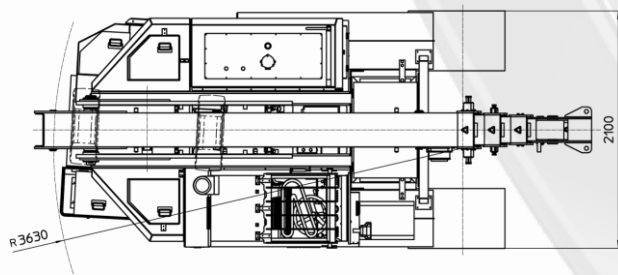
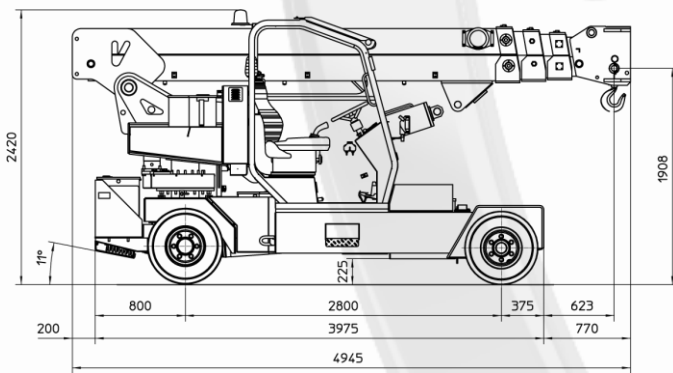
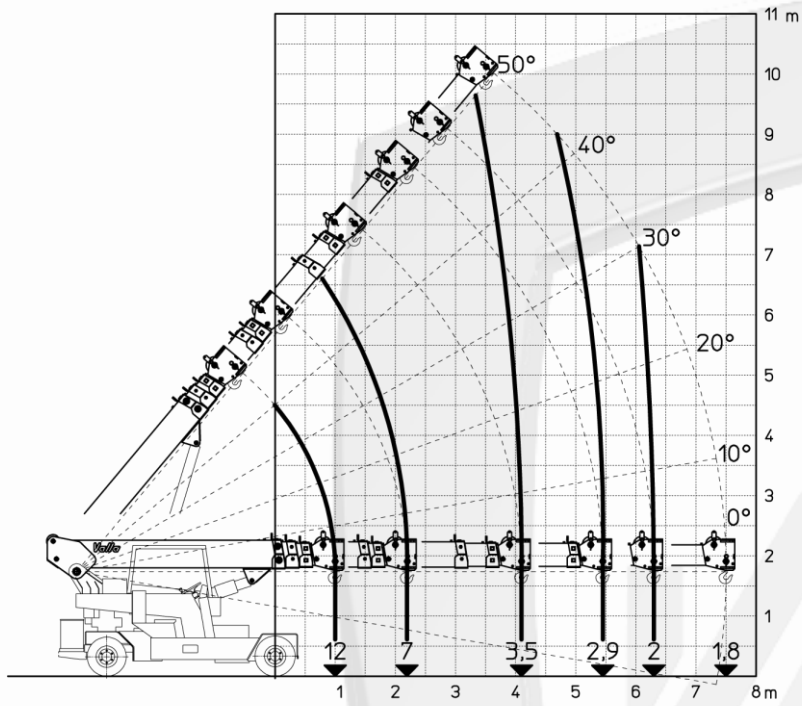


## FEATURES

**MAX CAPACITY** 12.000 kg  
**MAX BOOM EXTENSION** 7,5 m  
**MAX BOOM ANGLE** 50°  
**MIN BOOM ANGLE** - 10 °  
**WEIGHT** 14.000 kg  
**CONFORMITY** 2006/42 CE; 2014/30 CE;  
 2014/35 CE; 2000/14 CE; EN 13000

<b>CHASSIS</b>	6 wheels structure made in high quality steel, with internal counterweights
<b>WHEELS</b>	Front: n°4 superelastic wheels 7.00 - R12" Rear: n°2 superelastic wheels 27x10 - R12"
<b>TRACTION</b>	Rear traction with differential axle with reduction gear, powered by electric motor DC - 12 kW
<b>HYDRAULIC SYSTEM</b>	Powered by electric motor DC - 16 kW maximum pressure 220 bar
<b>BRAKES</b>	N°2 brake drums on front axle N°2 brake drums on rear axle
<b>STEERING</b>	Rear steering by hydraulic motor installed on fifth wheel
<b>BOOM</b>	Manufactured in high quality steel, composed by four elements: main boom and three telescopic hydraulic sections
<b>POWER SUPPLY</b>	Electric
<b>BATTERY</b>	72V - 820 Ah
<b>BOOM'S CONTROL</b>	By electro-hydraulic joystick inside the cabin
<b>DRIVE CONTROL</b>	By pedals and steering wheel inside the cabin
<b>SAFETY SYSTEM</b>	Electronic load moment indicator (LMI) with display for load, boom's position and boom's angle control
<b>OPTIONALS</b>	Hydraulic winch, manual Jib, hydraulic Jib, radio remote control, non marking wheels, chain hoist, self levelling hydraulic forks, battery watering system, on board battery charger, carry deck, closed cabin

All specifications are subject to change. Consult Valla for latest specifications



Hydraulic jib that can be turned on the boom side when not used



High extension telescopic boom



Wide range of optional accessories for many applications