



35 EVO

Walk behind pick&carry crane
with 3.500 kg capacity

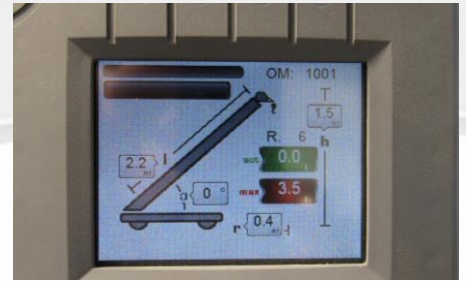
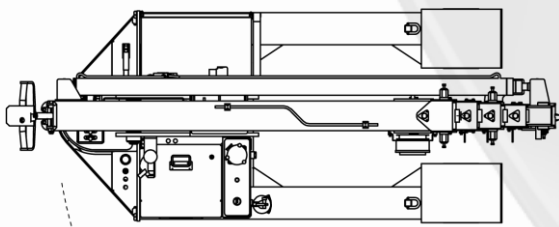
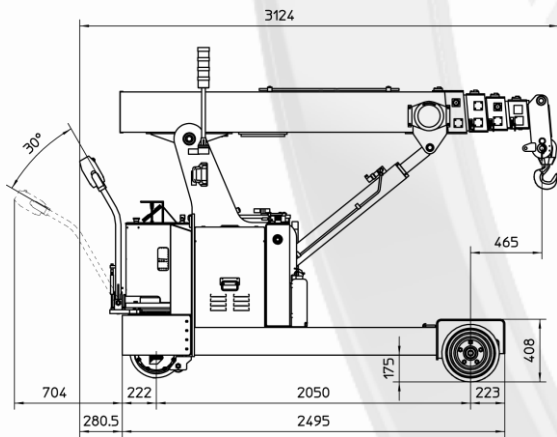
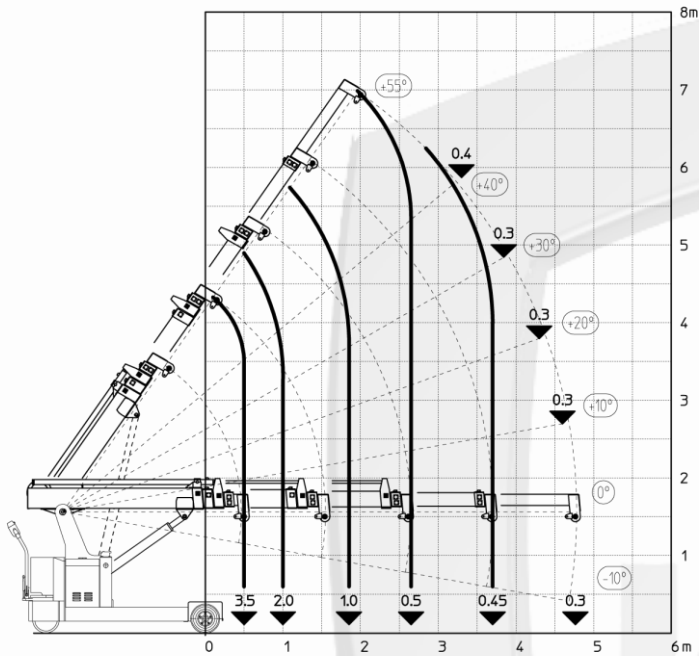


FEATURES

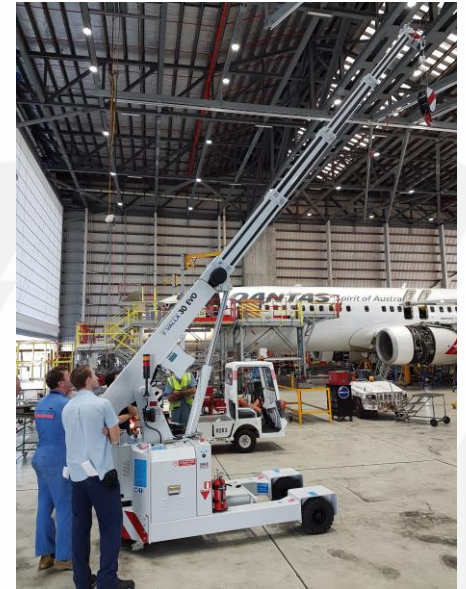
MAX CAPACITY 3.500 kg
MAX BOOM EXTENSION 4,8 m
MAX BOOM ANGLE 55°
MIN BOOM ANGLE -10°
WEIGHT 2.500 kg
CONFORMITY 2006/42 CE; 2014/30 CE;
 2014/35 CE; 2000/14 CE; EN 13000

CHASSIS	5 wheels structure made in high quality steel, with internal counterweights
WHEELS	Front: n°4 superelastic wheels 15 x 4 ½ - R8" Rear: n°1 cushion wheel 343x140
TRACTION	Rear traction with electric motor AC – 3,5 kW controlled by inverter
HYDRAULIC SYSTEM	Powered by electric motor DC – 2,5 kW
BRAKES	N°2 disc brake on front axle N°1 on rear wheel by electro brake
STEERING	Rear by steering helm with 180° rotation. Complete with safety device on backward.
BOOM	Manufactured in high quality steel, composed by five elements: main boom and four telescopic hydraulic sections
POWER SUPPLY	Electric
BATTERY	24V - 516Ah
BOOM'S CONTROL	By proportional distributor with lever
DRIVE CONTROL	By steering helm
SAFETY SYSTEM	Electronic load moment indicator (LMI) with display for load, boom's position and boom's angle control
OPTIONALS	Hydraulic winch, manual Jib, non marking wheels, battery watering system, on board battery charger, carry deck

All specifications are subject to change. Consult Valla for latest specifications



Electronic load moment indicator (LMI) with display for load, boom's position and boom's angle control



Fully hydraulic telescopic boom with high horizontal and vertical extension



180° steering helm powered by electric motor with 180° rotation for maximum manoeuvrability



VALLA MANITEX SRL
Via Leonardo da Vinci 12
29016 - Cortemaggiore (PC) - ITALY

PHONE: +39 0523 256411
EMAIL: info@valla.com
SITE: www.valla.com