



400 E

Ride on pick&carry crane
with 40.000 kg capacity

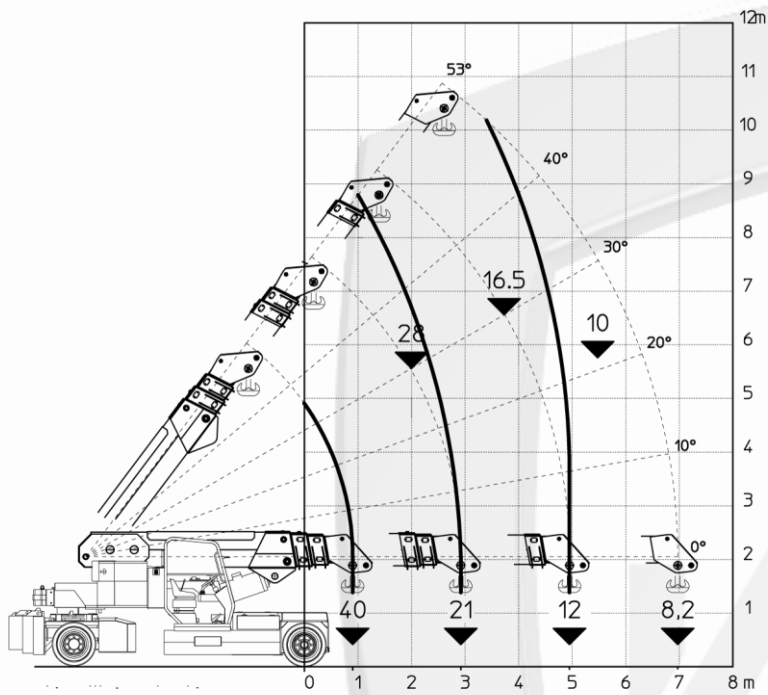


FEATURES

MAX CAPACITY 40.000 kg
MAX BOOM EXTENSION 6,97 m
MAX BOOM ANGLE 53°
MIN BOOM ANGLE 0°
WEIGHT 31.000 kg
REMOVABLE COUNTER 7.300 kg
CONFORMITY 2006/42 CE; 2014/30 CE;
 2014/35 CE; 2000/14 CE; EN 13000

CHASSIS	8 wheels structure made in high quality steel, with internal counterweights. Extensible frame by two hydraulic cylinders to increase load capacity
WHEELS	Front: n°6 superelastic wheels 355/65 - R15" Rear: n°2 superelastic wheels 400/60 - R15"
TRACTION	Rear traction with differential axle with reduction gear, powered by electric motor DC – 36 kW
HYDRAULIC SYSTEM	Powered by electric motor DC – 18,5 kW
BRAKES	N°4 brake shoes on front axle N°2 brake shoes on rear axle
STEERING	Rear steering by hydraulic motor installed on fifth wheel
BOOM	Manufactured in high quality steel, composed by four elements: main boom and three telescopic hydraulic sections
POWER SUPPLY	Electric
BATTERY	96V - 1450 Ah
BOOM'S CONTROL	By electro-hydraulic joystick inside the cabin
DRIVE CONTROL	By pedals and steering wheel inside the cabin
SAFETY SYSTEM	Electronic load moment indicator (LMI) with display for load, boom's position and boom's angle control
OPTIONALS	Hydraulic winch, manual Jib, hydraulic Jib, radio remote control, non marking wheels, self levelling hydraulic forks, battery watering system, on board battery charger, carry deck, closed cabin

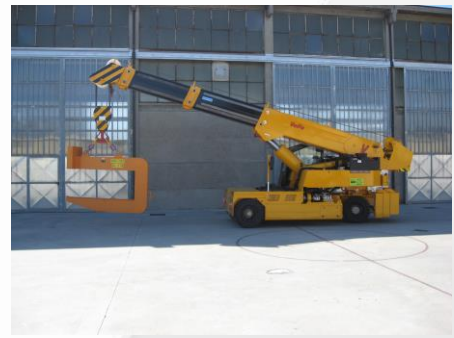
All specifications are subject to change. Consult Valla for latest specifications



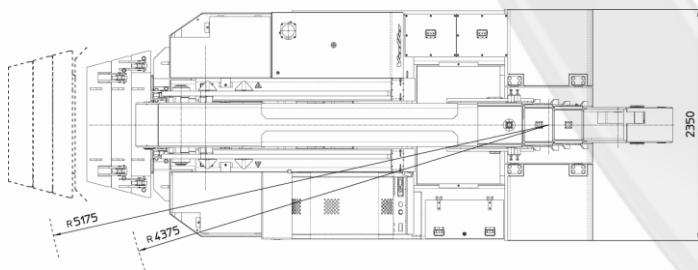
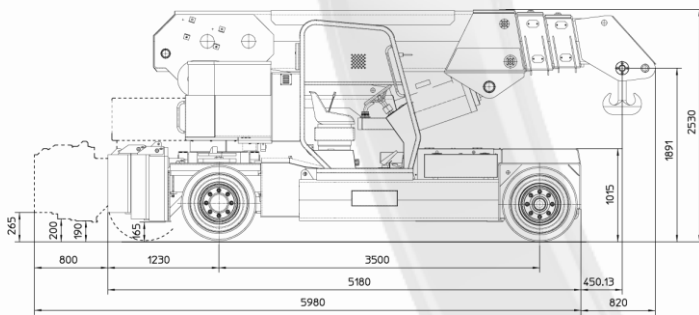
Removable ballasts to make it easier to transport the crane



Extendable chassis to increase lifting capacity



Wide range of optional accessories for many applications



VALLA MANITEX SRL
Via Leonardo da Vinci 12
29016 - Cortemaggiore (PC) - ITALY

PHONE: +39 0523 256411
EMAIL: info@valla.com
SITE: www.valla.com