



# 50 E

Ride on pick&carry crane  
with 5.000 kg capacity



## FEATURES

**MAX CAPACITY** 5.000 kg  
**MAX BOOM EXTENSION** 4,88 m  
**MAX BOOM ANGLE** 55°  
**MIN BOOM ANGLE** 0°  
**WEIGHT** 5.500 kg  
**CONFORMITY** 2006/42 CE; 2014/30 CE;  
 2014/35 CE; 2000/14 CE; EN 13000

**CHASSIS** 5 wheels structure made in high quality steel, with internal counterweights

**WHEELS** Front: n°4 superelastic wheels 16x7 – R8"  
Rear: n°1 superelastic wheel 23x10 – R12"

**TRACTION** Rear traction with electric motor DC 7 kW

**HYDRAULIC SYSTEM** Powered by electric motor DC – 5 kW maximum pressure 210 bar

**BRAKES** N°1 brake shoe on rear wheel

**STEERING** Rear steering by hydraulic motor installed on fifth wheel

**BOOM** Manufactured in high quality steel, composed by four elements:  
main boom and three telescopic hydraulic sections

**POWER SUPPLY** Electric

**BATTERY** 48V - 575 Ah

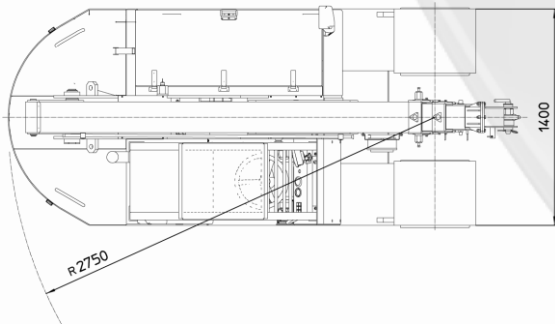
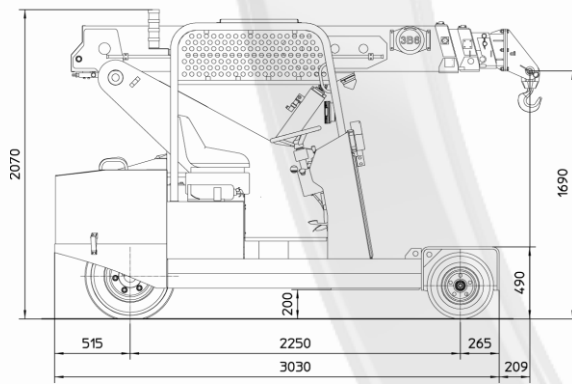
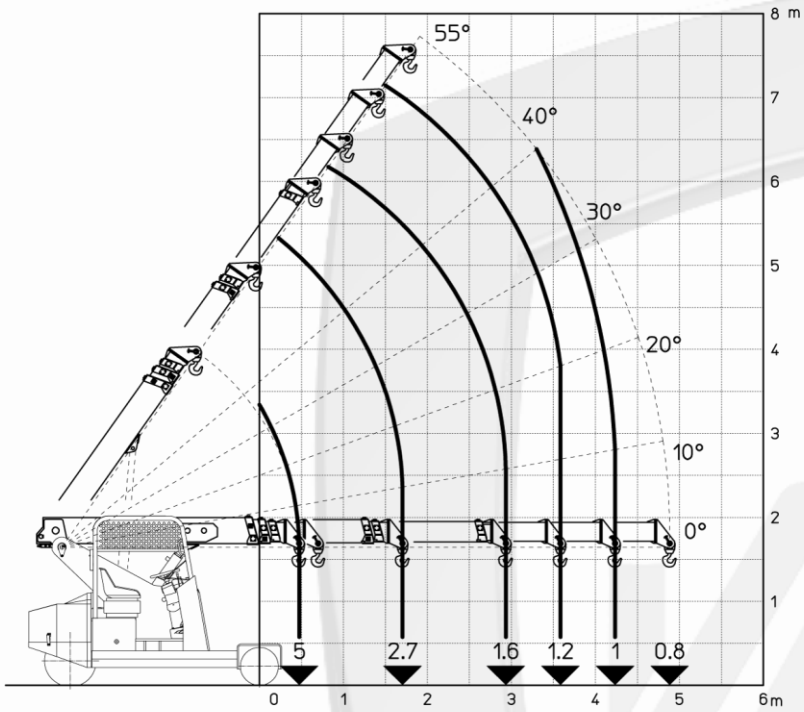
**BOOM'S CONTROL** By proportional distributor with levers inside the cabin

**DRIVE CONTROL** By pedals and steering wheel inside the cabin

**SAFETY SYSTEM** Electronic load moment indicator (LMI) with display for load, boom's position and boom's angle control

**OPTIONALS** Hydraulic winch, manual Jib, hydraulic Jib, radio remote control, non marking wheels, chain hoist, battery watering system, on board battery charger, carry deck, closed cabin

All specifications are subject to change. Consult Valla for latest specifications



Rear steering with 180° rotation for maximum manoeuvrability



Operator's cabin with ergonomic controls and digital display for the electronic load moment indicator



Wide range of optional accessories for many applications



VALLA MANITEX SRL  
Via Leonardo da Vinci 12  
29016 - Cortemaggiore (PC) - ITALY

PHONE: +39 0523 256411  
EMAIL: info@valla.com  
SITE: www.valla.com