



75 E

Ride on pick&carry crane with 7.500 kg capacity

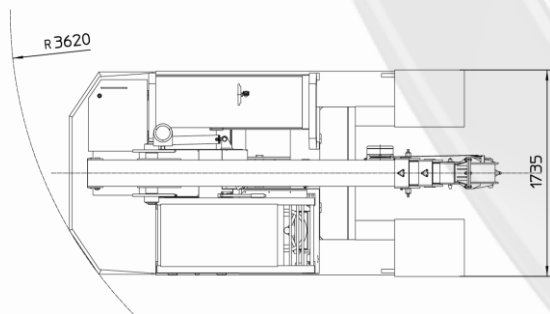
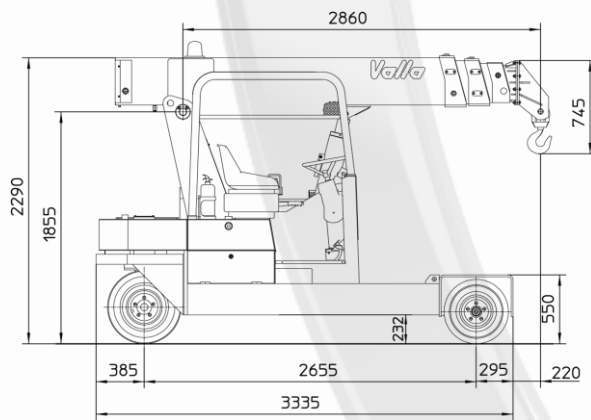
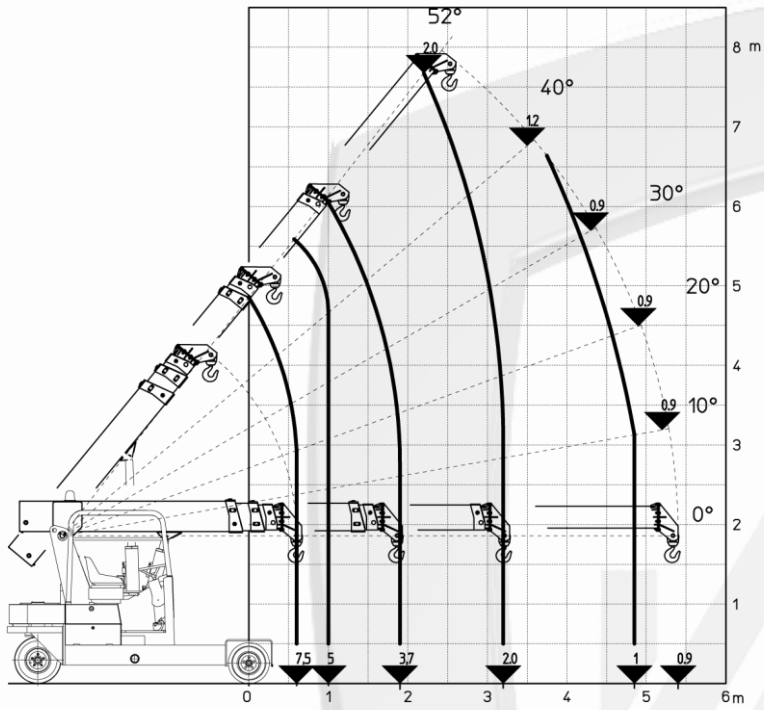


FEATURES

MAX CAPACITY 7.500 kg
MAX BOOM EXTENSION 5,4 m
MAX BOOM ANGLE 52°
MIN BOOM ANGLE 0°
WEIGHT 6.100 kg
CONFORMITY 2006/42 CE; 2014/30 CE;
 2014/35 CE; 2000/14 CE; EN 13000

CHASSIS	6 wheels structure made in high quality steel, with internal counterweights
WHEELS	Front: n°4 superelastic wheels 21x8 – R9" Rear: n°2 superelastic wheels 6,5 – R10"
TRACTION	Rear traction with differential axle and reduction gear, powered by electric motor DC – 8 kW
HYDRAULIC SYSTEM	Powered by electric motor DC – 5 kW maximum pressure 2.750 psi
BRAKES	N°2 brake discs on front axle N°2 brake shoes on rear axle
STEERING	Rear steering with hydraulic cylinder between chassis and traction group
BOOM	Manufactured in high quality steel, composed by four elements: main boom and three telescopic hydraulic sections
POWER SUPPLY	Electric
BATTERY	48V - 575 Ah
BOOM'S CONTROL	By electro-hydraulic joystick inside the cabin
DRIVE CONTROL	By pedals and steering wheel inside the cabin
SAFETY SYSTEM	Electronic load moment indicator (LMI) with display for load, boom's position and boom's angle control
OPTIONALS	Hydraulic winch, manual Jib, hydraulic Jib, radio remote control, non marking wheels, chain hoist, battery watering system, on board battery charger, carry deck, closed cabin.

All specifications are subject to change. Consult Valla for latest specifications



Rear steering with hydraulic cylinder between chassis and traction group for great performance also on not flat surfaces



Wide range of optional accessories for many applications