



90 E

Ride on pick&carry crane
with 9.000 kg capacity

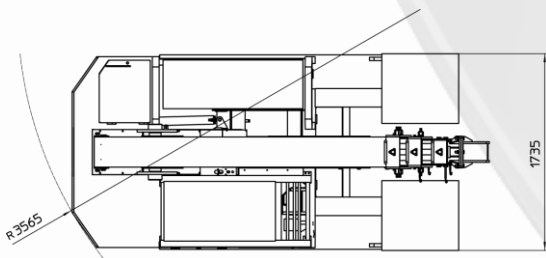
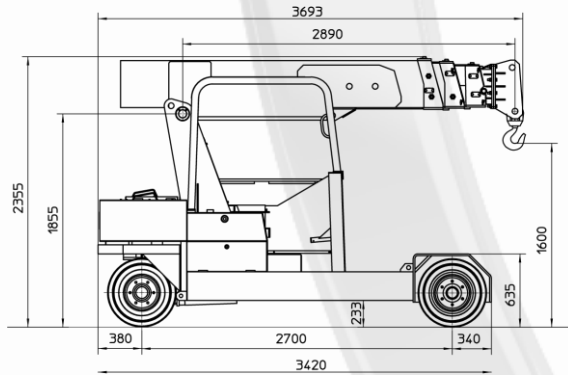
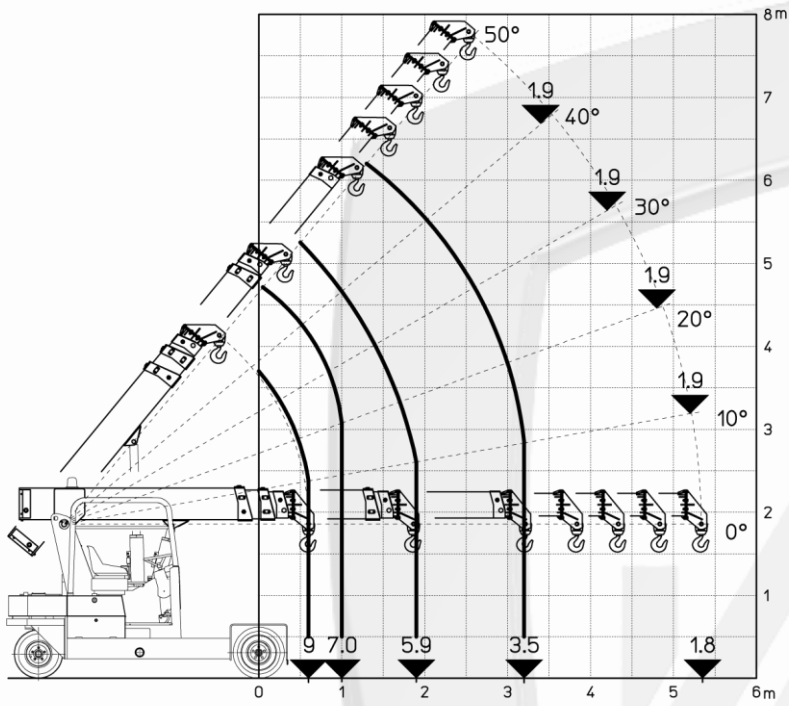


FEATURES

MAX CAPACITY 9.000 kg
MAX BOOM EXTENSION 5,35 m
MAX BOOM ANGLE 50°
MIN BOOM ANGLE - 4°
WEIGHT 9.000 kg
CONFORMITY 2006/42 CE; 2014/30 CE;
 2014/35 CE; 2000/14 CE; EN 13000

CHASSIS	6 wheels structure made in high quality steel, with internal counterweights
WHEELS	Front: n°4 superelastic wheels 23x9 – R10" Rear: n°2 superelastic wheels 23x10 – R12"
TRACTION	Rear traction with differential axle with reduction gear, powered by electric motor AC – 10 kW
HYDRAULIC SYSTEM	Powered by electric motor DC – 5 kW maximum pressure 190 bar
BRAKES	N°2 brake shoes on front axle N°2 brake shoes on rear axle
STEERING	Rear steering with hydraulic cylinder between chassis and traction group
BOOM	Manufactured in high quality steel, composed by four elements: main boom and three telescopic hydraulic sections
POWER SUPPLY	Electric
BATTERY	48V - 700 Ah
BOOM'S CONTROL	By electro-hydraulic joystick inside the cabin
DRIVE CONTROL	By pedals and steering wheel inside the cabin
SAFETY SYSTEM	Electronic load moment indicator (LMI) with display for load, boom's position and boom's angle control
OPTIONALS	Hydraulic winch, manual Jib, hydraulic Jib, radio remote control, self levelling hydraulic forks, non marking wheels, chain hoist, battery watering system, on board battery charger, carry deck, closed cabin.

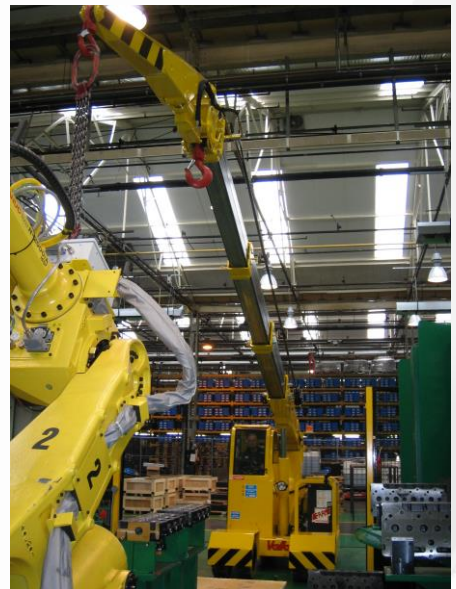
All specifications are subject to change. Consult Valla for latest specifications



Optional chain hoist



Optional hydraulic jib



Wide range of optional accessories for many applications

Valla
MANITEX

VALLA MANITEX SRL
Via Leonardo da Vinci 12
29016 - Cortemaggiore (PC) - ITALY

PHONE: +39 0523 256411
EMAIL: info@valla.com
SITE: www.valla.com